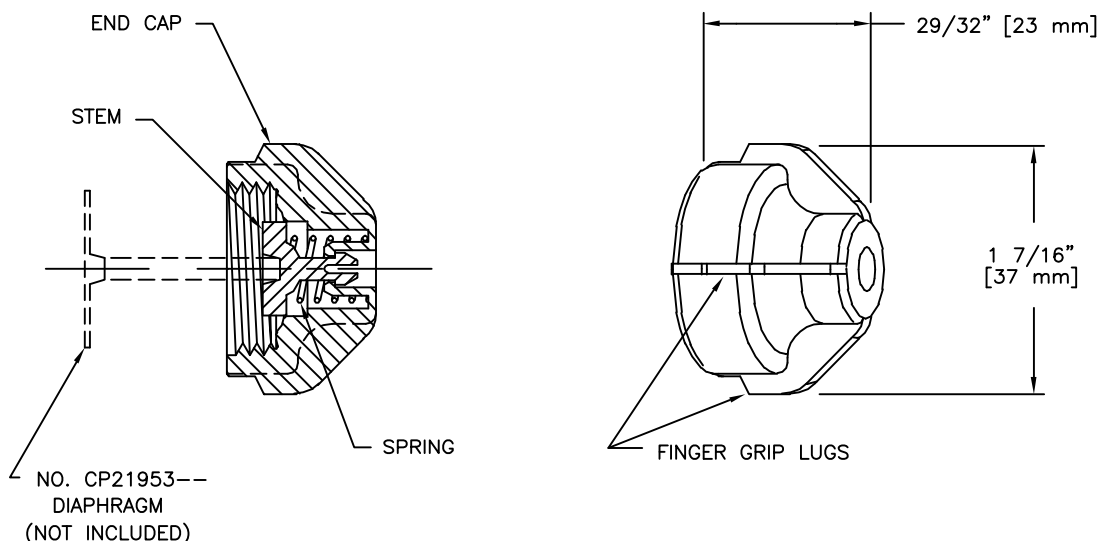


No. 21950-___-NYB and 21950-___-NY
ChemSaver® End Cap Assemblies



AVAILABLE SUB-ASSEMBLIES:

<u>PART NO.</u>	<u>APPROXIMATE OPENING PRESSURE</u>	<u>END CAP COLOR</u>	<u>AVAILABILITY</u>
21950-2-NY	2 PSI [0.14 bar]	YELLOW	OPTIONAL
21950-8-NYB	8 PSI [0.6 bar]	BLACK	OPTIONAL
21950-10-NYB	10 PSI [0.7 bar]	BLACK	STANDARD
21950-15-NY	15 PSI [1.0 bar]	RED	OPTIONAL
21950-20-NYB	20 PSI [1.4 bar]	BLACK	OPTIONAL
21950-30-NYB	30 PSI [2.1 bar]	BLACK	OPTIONAL

FEATURES:

- FOR PRESSURES UP TO 300 PSI [20 bar].
- CENTER HOLE IN STEM PROVIDES POSITIVE LOCATION FOR NO. CP21953 - DIAPHRAGM (SEE ABOVE SKETCH).
- AUTOMATIC IN-LINE "FLOATING" MOTION OF STEM.
- STEM DESIGN HELPS KEEP END CAP CHAMBER CLEAN.

MATERIAL: POLYPROPYLENE STEM (BLACK), GLASS REINFORCED NYLON
END CAP, WITH TYPE 302 STAINLESS STEEL SPRING.

FOR USE WITH QUICK TEEJET NOZZLE BODIES.

DESCRIPTION:

No. 21950-___-NYB & 21950-___-NY
CHEMSAVER® END CAP ASSEMBLIES



Spraying Systems Co.®

Spray Nozzles and Accessories
P.O. Box 7900 - Wheaton, IL 60189-7900

Rev. No. 4

Ref.

Data Sheet No.

21950

SHEET OF